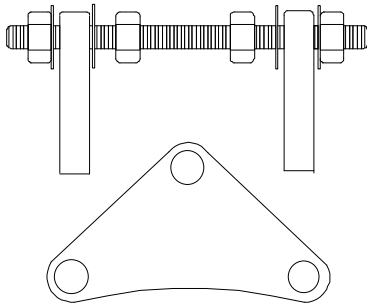


# Global Flex Mfg.

1580 Charles Drive Redding, CA 96003

## STYLE # CR

## Control Rods Expansion Joint Neoprene



| Part-Number | Size Inches |
|-------------|-------------|
| CR-150-CS   | 1-1/2" X 6" |
| CR-200-CS   | 2" X 6"     |
| CR-250-CS   | 2-1/2" X 6" |
| CR-300-CS   | 3" X 6"     |
| CR-400-CS   | 4" X 6"     |
| CR-500-CS   | 5" X 6"     |
| CR-600-CS   | 6" X 6"     |
| CR-800-CS   | 8" X 6"     |
| CR-1000-CS  | 10" X 8"    |
| CR-1200-CS  | 12" X 8"    |
| CR-1400-CS  | 14" X 8"    |
| CR-1600-CS  | 16" X 8"    |
| CR-1800-CS  | 18" X 8"    |
| CR-2000-CS  | 20" X 8"    |
| CR-2400-CS  | 24" X 8"    |

| CONTROL UNIT                 |                           |  |        | NOMINAL<br>PIPE SIZE<br>EXP JT ID<br>INCH | MAXIMUM SURGE OR TEST PRESSURE OF THE SYSTEM |     |     |     |     |
|------------------------------|---------------------------|--|--------|---|--|-----|-----|-----|-----|
| PLATE<br>THICKNESS<br>INCHES | ROD<br>DIAMETER<br>INCHES | STANDARD CONTROL<br>UNITS ASSEMBLY OF: |        |   | NUMBER OF CONTROL RODS RECOMMENDED           |     |     |     |     |
|                              |                           | RODS                                   | PLATES |   | 2  | 3   | 4   | 6   | 8   |
| .375                         | .500                      | 2                                      | 4      | .50                                       | 1328   | --  | --  | --  | --  |
| .375                         | .500                      | 2                                      | 4      | .75                                       | 1106   | --  | --  | --  | --  |
| .375                         | .500                      | 2                                      | 4      | 1.0                                       | 949  | --  | --  | --  | --  |
| .375                         | .500                      | 2                                      | 4      | 1.25                                      | 830  | --  | --  | --  | --  |
| .375                         | .500                      | 2                                      | 4      | 1.50                                      | 510  | --  | --  | --  | --  |
| .375                         | .625                      | 2                                      | 4      | 2   | 661  | --  | --  | --  | --  |
| .375                         | .625                      | 2                                      | 4      | 2.5                                       | 529  | --  | --  | --  | --  |
| .375                         | .625                      | 2                                      | 4      | 3   | 441  | --  | --  | --  | --  |
| .375                         | .625                      | 2                                      | 4      | 3.5                                       | 365  | 547 | 729 | --  | --  |
| .375                         | .625                      | 2                                      | 4      | 4   | 311  | 467 | 622 | --  | --  |
| .375                         | .625                      | 2                                      | 4      | 5   | 235  | 353 | 470 | --  | --  |
| .500                         | .625                      | 2                                      | 4      | 6   | 186  | 278 | 371 | --  | --  |
| .500                         | .750                      | 2                                      | 4      | 8   | 163  | 244 | 329 | --  | --  |
| .750                         | .875                      | 2                                      | 4      | 10  | 163  | 144 | 325 | 488 | --  |
| .750                         | 1.00                      | 2                                      | 4      | 12  | 160  | 240 | 320 | 481 | --  |
| .750                         | 1.00                      | 2                                      | 4      | 14  | 112  | 167 | 223 | 335 | --  |
| .750                         | 1.125                     | 2                                      | 4      | 16  | 113  | 170 | 227 | 340 | 453 |
| .750                         | 1.125                     | 2                                      | 4      | 18  | 94   | 141 | 187 | 281 | 375 |
| .750                         | 1.125                     | 2                                      | 4      | 20  | 79   | 118 | 158 | 236 | 315 |
| 1.00                         | 1.250                     | 2                                      | 4      | 22  | 85   | 128 | 171 | 256 | 342 |
| 1.00                         | 1.250                     | 2                                      | 4      | 24  | 74   | 110 | 147 | 221 | 294 |

\* REF FLUID SEALING TECHNICAL HAND BOOK